



ASNT_PRBS20C_V2

PRBS7/15 Generator Featuring Jitter Insertion, Selectable Sync, Output Amplitude Control and USB Control

- Broadband operation from 20Mbps – 22.0Gbps
- Fast rise and fall times
- Two PRBS data outputs with output amplitude control
- Up to 140ps delay variation on each output
- Built-in Programmable Clock Generator
- External high-speed clock input capability (AC-coupled on board)
- Differential high-speed clock output
- 50% duty cycle for sync output on all divide ratios
- USB Software GUI Control Interface via USB 2.0
- Single positive 5V supply

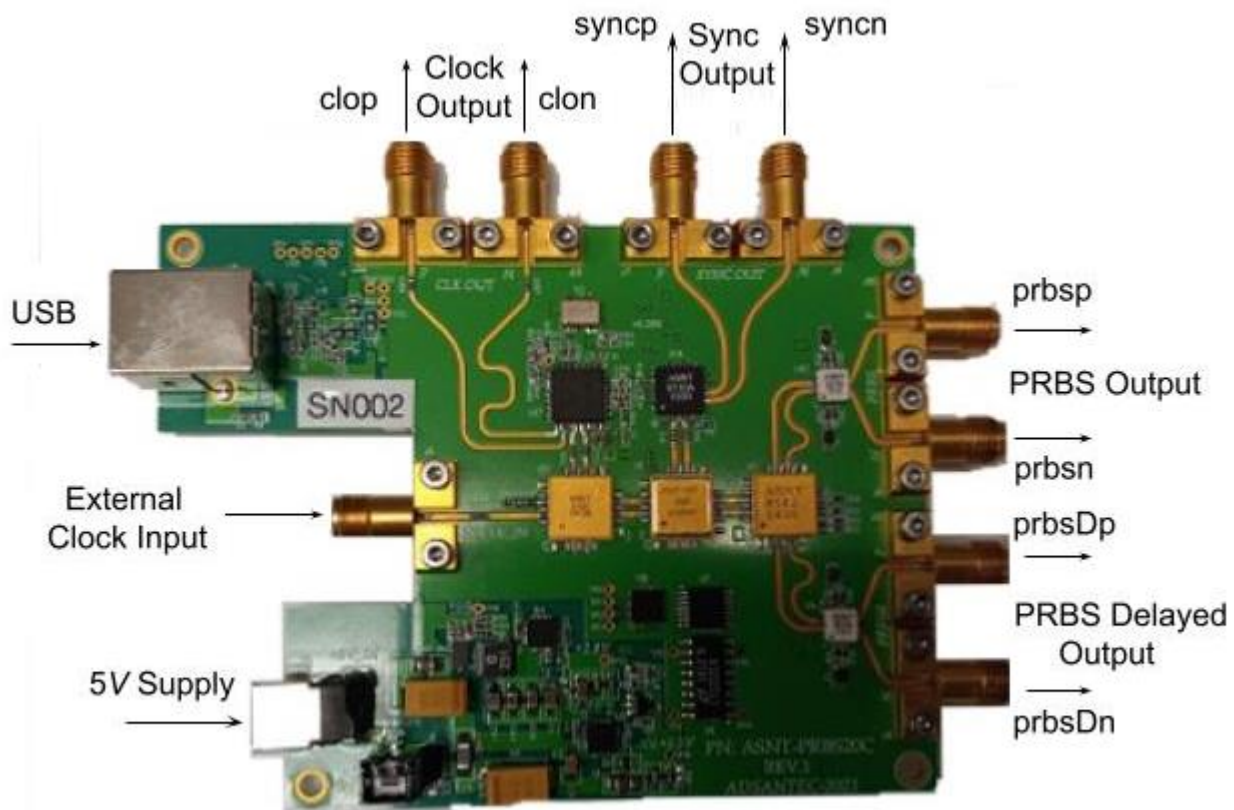


Fig. 1 ASNT_PRBS20C_V2 board



DESCRIPTION

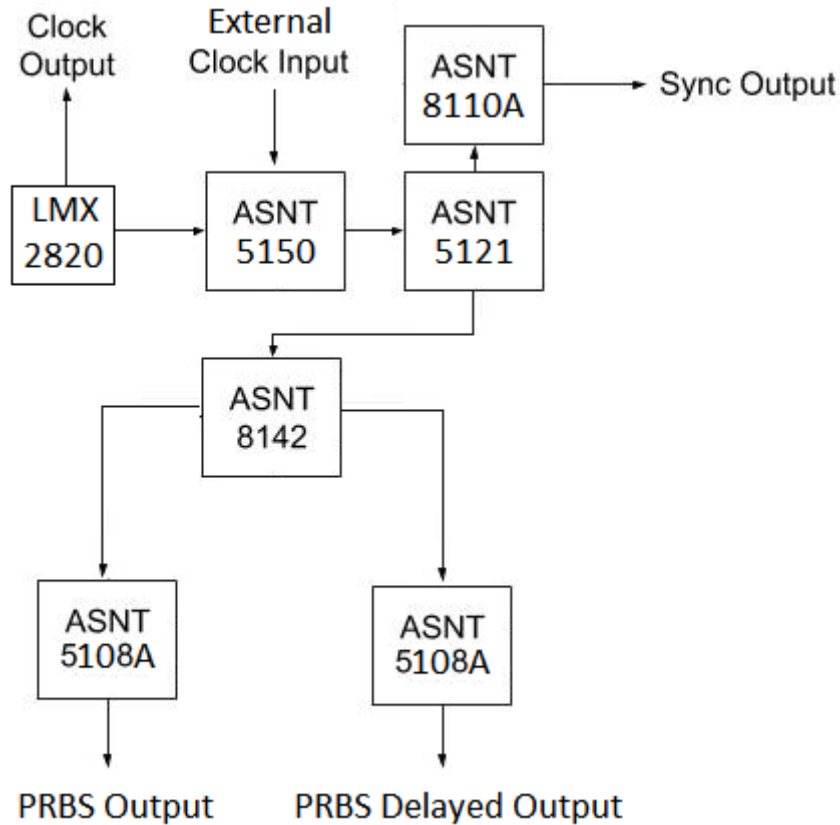


Fig. 2 PCB Block Diagram

The ASNT_PRBS20C_V2 is a broadband 2^7-1 , or $2^{15}-1$ PRBS generator intended for test, and prototyping of microwave communication applications. The board features a programmable clock synthesizer up to 22GHz, while also supporting an external clock input. The PRBS data amplitude is adjustable from 50mV to 800mV single-ended peak to peak, and its phase is adjustable up to 140ps for both differential outputs. A single-ended clock from 20MHz to 22GHz with an amplitude as low as 50mV peak to peak may be applied to the high-speed clock input. An independent differential clock output from the internal programmable clock generator is provided. A programmable differential Sync Output provides a divided copy of the input clock with a division ratio from 1 to 256. The Sync Output is mainly used to trigger a high-speed oscilloscope. The system is capable of triggering an eye diagram for PRBS7/PRBS15, or for a PRBS7 pattern with divide ratios 127 or 254. The USB 2.0 port allows the board to connect to any compatible PC for a simplified software-based operation.

OPERATION

1. Measure 50Ω on all SMA connectors referenced to VCC.
2. Connect the power supply (provided) to the board, and connect to any PC via USB cable.
3. Install the included software on the connected PC following the software installation dialog box as shown in **Fig. 3**.

(This step will not need to be repeated unless switching PC's).

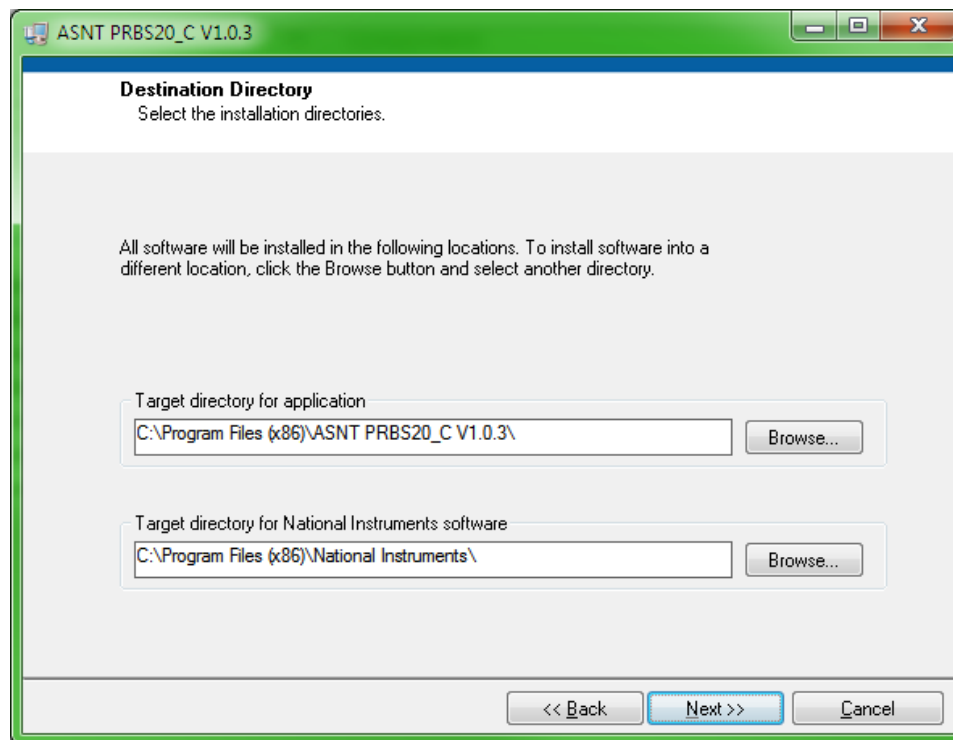


Fig. 3 Software Installation Dialog

4. After the installation is complete, initiate the GUI software and confirm its connection by ensuring that the USB Connection Indicator light is green as it's depicted in **Fig. 4**.
5. The Clock Input Control can be used to select the use of either on-board synthesized, or externally generated clock when desired. If using an external input clock signal, a DC block is not required due to on-board integrated AC coupling.
6. Set the frequency as desired either via the software GUI, or through manipulation of the external clock signal.

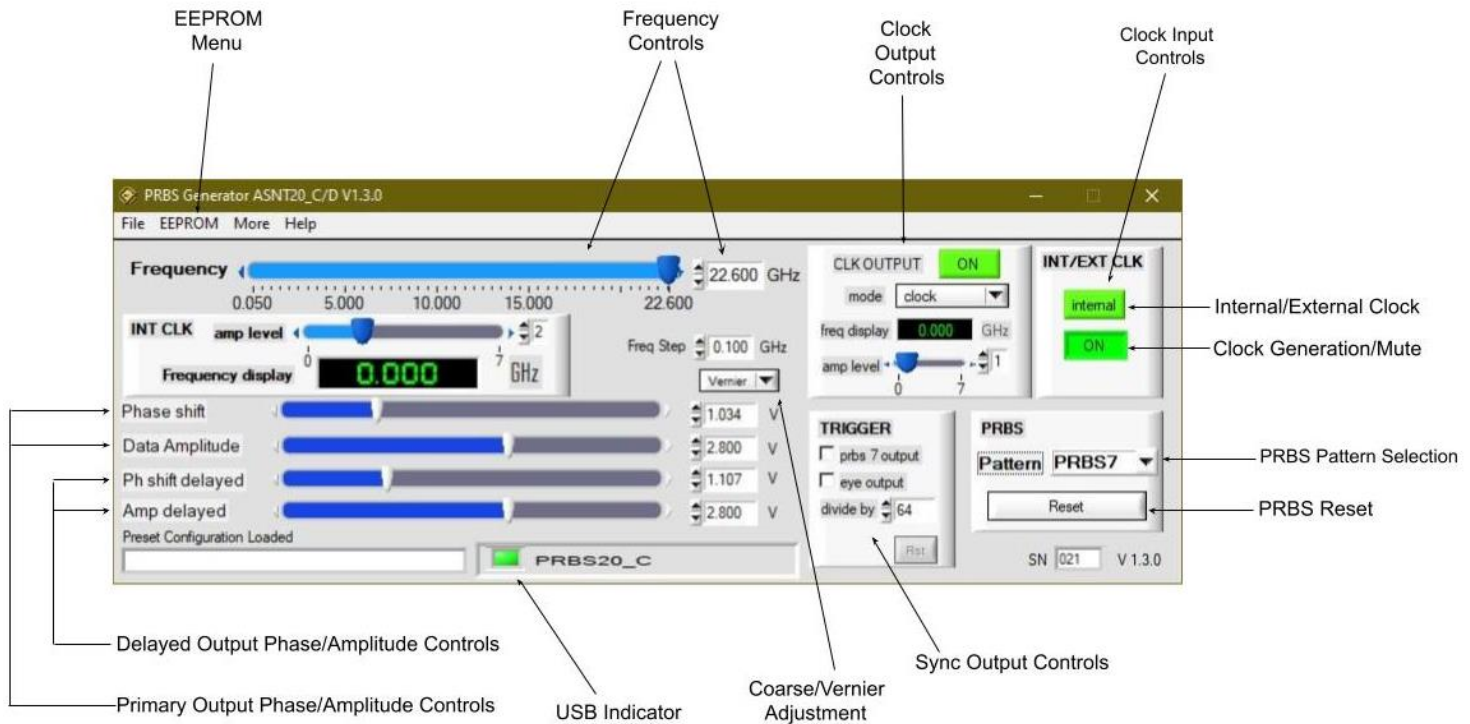


Fig. 4 Software GUI

7. The PRBS Selection/Reset Control can be used to select the desired output pattern (PRBS7/PRBS15), and to provide a PRBS reset when necessary (The board is equipped with automatic reset).

8. The Clock Output Control can be used to enable/disable the clock output from the built-in frequency synthesizer used for data generation. The amplitude of the output clock can also be controlled from here. Using the “mode” drop down window, the controls will allow for a divided clock output when desired. Note that these clock outputs are also AC coupled on-board.

9. The Sync Controls (Trigger) can be used to manipulate the division ratio used for the sync signal output; when viewing PRBS7 data this can be easily configured to view either an eye diagram, or an output data pattern. It can also be used to set a manual division ratio when desired.

10. The Amplitude Controls (Data Amplitude and Amp delayed) can be used to adjust the amplitude of both the PRBS Output, and the Delayed PRBS Output. The Phase Shift (Phase Shift and Ph shift delayed) controls can also be used to adjust the phase of each data output by up to 140ps.

11. Configuration settings, by default, are saved to a cfg file within the installation directory; when desired, settings can also be saved (or loaded) directly from the EEPROM menu.

12. The PRBS Drift (Jitter Insertion) Controls can be used to inject jitter into the output signal if desired. The Step Value and Step Count can both be used to create jitter in different ways, or be used in combination, with higher values corresponding with greater inserted jitter. This option can be found under the “More” tab (labeled as Additional Controls in the diagram above).



ELECTRICAL CHARACTERISTICS

PARAMETER	MIN	TYP	MAX	UNIT	COMMENTS
vee		0		V	External ground
vcc		5.0		V	Provided
Ivcc	1.7	2.2	2.6	A	
Power		13		W	
Operating Temperature	-25	50	85	°C	
External Clock Input					
Frequency	0.02		22	GHz	
Single-Ended Swing	50	400	1000	mV _{PP}	
Clock Output (clp/clon)					
Frequency	0.02		22	GHz	
Single-Ended Swing	50		1000	mV _{PP}	
High-level output voltage		2.4		V	
Low-level output voltage			0.4	V	
Duty Cycle	45	50	55	%	For Clock Signal
Sync Output (Trigger) (syncp/syncn)					
Frequency	0.01		22	GHz	Programmable Divider
Single-Ended Swing	500	600	1000	mV _{PP}	
Rise/Fall Times	15	17	19	ps	20%-80%
Duty Cycle	45%	50%	55%		
PRBS Output (prbsp/prbsn)					
Single-Ended Voltage Level	50	500	800	mV _{PP}	
Common Mode Level	vcc -0.3	vcc -0.25	vcc -0.2	V	
Duty Cycle	45	50	55	%	
PRBS Delayed Output (prbsDp/prbsDn)					
Single-Ended Voltage Level	50	500	800	mV _{PP}	
Common Mode Level	vcc -0.3	vcc -0.25	vcc -0.2	V	
Duty Cycle	45%	50%	55%		



BOARD DIMENSIONS DIAGRAM

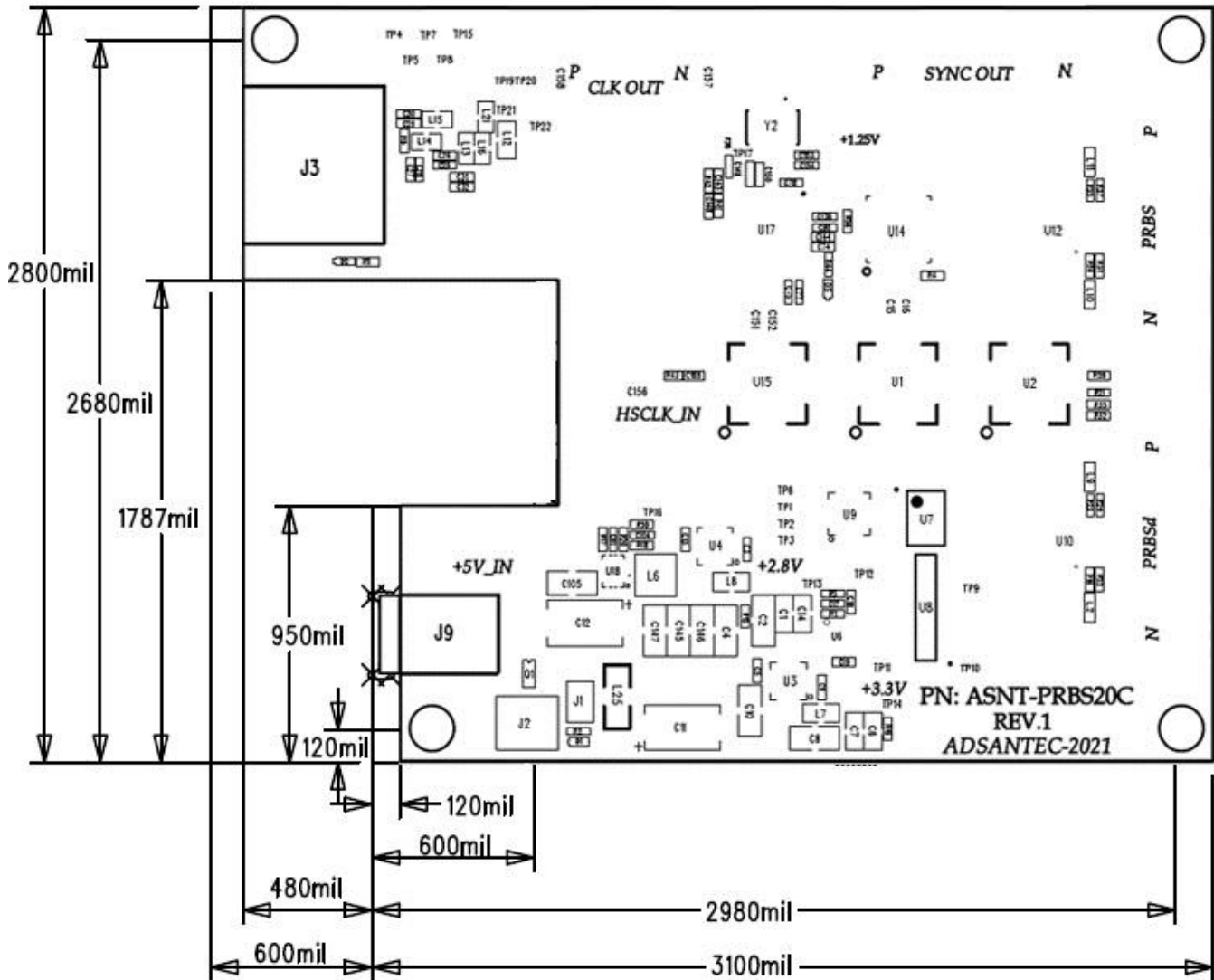


Fig. 5 Board Dimensions Diagram

REVISION HISTORY

Revision	Date	Changes
1.2.2	11-2024	Updated for use with latest software features
0.2.2	08-2024	Updated software GUI diagram for the latest software revision
0.1.2	08-2024	Preliminary Release