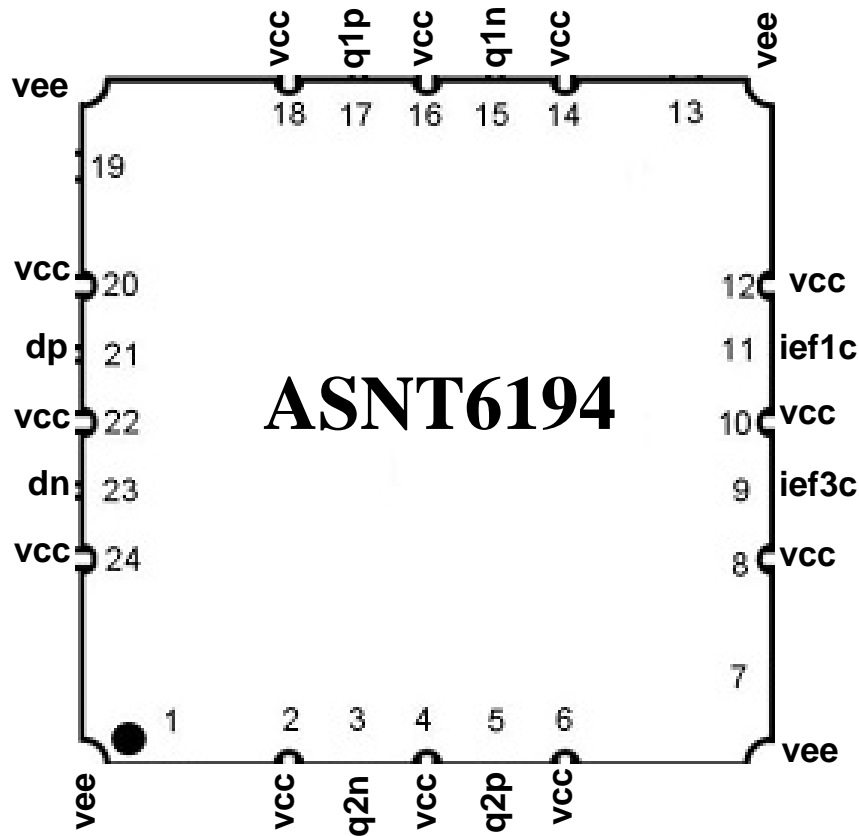




ASNT6194-KHC DC-35GHz 1-to-2 Analog Signal Splitter

- DC to 35GHz broadband linear signal splitter
- One differential CML-type input port and two phase-matched differential CML-type output ports
- Single ended input linearity range up to 1.4V p-p
- Differential gain of approximately 0dB
- Adjustable currents for bandwidth and peaking control
- Low jitter and limited temperature variation over industrial temperature range
- Single +3.3V or -3.3V power supply
- Power consumption: 760mW typical
- Fabricated in SiGe for high performance, yield, and reliability
- Custom CQFN 24-pin package



DESCRIPTION

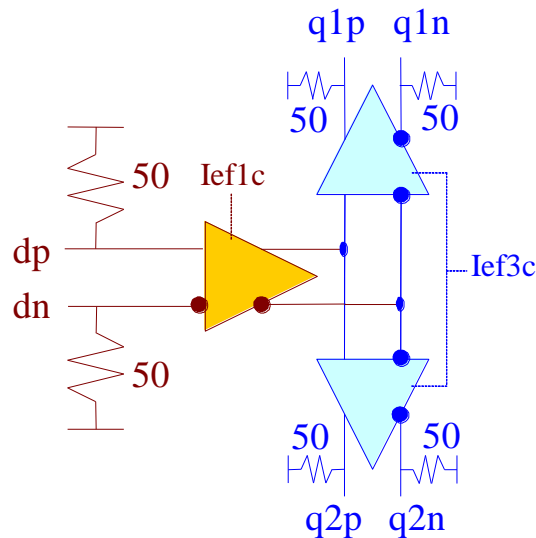


Fig. 1. Functional Block Diagram

The temperature stable ASNT6194-KHC 1-to-2 analog signal splitter is intended for use in high-speed interleaved ADCs or similar systems. The IC shown in Fig. 1 can receive a broad-band analog signal at its differential input **dp/dn** and effectively distribute it to two separate phase matched differential outputs **q1p/q1n**, **q2p/q2n** with a nominal gain of *0dB*. Two low-speed analog current controls **lef1c** and **lef3c** are available for bandwidth and peaking adjustments. Both controls are very similar and change peaking of the part's frequency response at high frequencies (above *20GHz*). **lef1c** has a higher impact on the frequency response and also improves linearity at low control voltages. A relatively flat frequency response can be achieved at lower control voltages but it may be not the best setting for the signal eye.

The part's I/O's support the CML logic interface with on chip *50Ohm* termination to **vcc** and may be used differentially, AC/DC coupled, single-ended, or in any combination (also see POWER SUPPLY CONFIGURATION). In the DC-coupling mode, the input signal's common mode voltage should comply with the specifications shown in ELECTRICAL CHARACTERISTICS. In the AC-coupling mode, the input termination provides the required common mode voltage automatically.

POWER SUPPLY CONFIGURATION

The part can operate with either negative supply (**vcc** = *0.0V* = ground and **vee** = *-3.3V*), or positive supply (**vcc** = *+3.3V* and **vee** = *0.0V* = ground). In case of the positive supply, all I/Os need AC termination when connected to any devices with *50Ohm* termination to ground. Different PCB layouts will be needed for each different power supply combination.

All the characteristics detailed below assume **vcc = *0.0V* and **vee** = *-3.3V*.**



ABSOLUTE MAXIMUM RATINGS

Caution: Exceeding the absolute maximum ratings shown in Table 1 may cause damage to this product and/or lead to reduced reliability. Functional performance is specified over the recommended operating conditions for power supply and temperature only. AC and DC device characteristics at or beyond the absolute maximum ratings are not assumed or implied. All min and max voltage limits are referenced to ground.

Table 1. Absolute Maximum Ratings

Parameter	Min	Max	Units
Supply Voltage (vee)		-3.6	V
Power supply current		300	mA
Input Voltage	vcc-1.0	vcc+0.4	V
RF Input Voltage Swing (SE)		0.8	V
Analog control voltages	vee	vcc	V
Case Temperature		+90	°C
Storage Temperature	-40	+100	°C
Operational Humidity	10	98	%
Storage Humidity	10	98	%

TERMINAL FUNCTION

TERMINAL			DESCRIPTION
Name	No.	Type	
dp	21	CML input	Differential high speed data inputs with internal SE 50Ω termination to vcc
dn	23		
q1p	17	CML output	Differential high speed data outputs with internal SE 50Ω termination to vcc. Require external SE 50Ω termination to vcc
q1n	15		
q2p	5	CML output	
q2n	3		
ief1c	11	Analog Control	Analog current control with internal 64KΩ termination to vcc and 72KΩ termination to vee.
ief3c	9		
Supply and Termination Voltages			
Name	Description		Pin Number
vcc	Positive power supply (+3.3V or 0)		2, 4, 6, 8, 10, 12, 14, 16, 18, 20, 22, 24
vee	Negative power supply (0V or -3.3V)		1, 7, 13, 19



ELECTRICAL CHARACTERISTICS

PARAMETER	MIN	TYP	MAX	UNIT	COMMENTS
General Parameters					
vee	-3.1	-3.3	-3.5	V	±6%
vcc		0.0		V	External ground
Ivee	180	230	250	mA	
Power consumption	560	760	825	mW	
Junction temperature	-25	50	125	°C	
Input Analog (dp/dn)					
Bandwidth	DC		35	GHz	-3dB
Common mode voltage level		vcc		V	Internally generated
Single ended voltage swing, pk-pk; unused input not connected or AC terminated			1400	mV	THD>41dBm at 1GHz
			1400	mV	THD>37dBm at 5GHz
			900	mV	THD>30dBm at 10GHz
Input Noise Density		1.5		nV/sqrt(Hz)	
S11		-35		dB	at 3GHz
		-16		dB	at 10GHz
		-11		dB	at 20GHz
		-9		dB	at 25GHz
Control Signals (ief1c/ief3c)					
Control range	vee+0.8	vee+1.8		V	
Default voltage level		vee+1.75		V	at ±3.3V supply
Output Analog (q1p/q1n, q2p/q2n)					
Common mode level		vcc-0.55		V	With external 50Ohm DC termination
Small Signal Differential Gain		0		dB	up to 10GHz
Gain flatness with optimal peaking control settings		±0.5		dB	Up to 30GHz
Output referred 1dB Compression Point		1		dBm	Single-Ended, 20GHz
THD		0.3		%	at 1GHz, 0.8V
THD		0.4		%	at 10GHz, 0.8V
THD		0.9		%	at 25GHz, 0.8V
THD		3.5		%	at 35GHz, 0.8V



PACKAGE INFORMATION

The chip die is housed in a custom 24-pin CQFN package shown in Fig. 2. The package provides a center heat slug located on its back side to be used for heat dissipation. ADSANTEC recommends for this section to be soldered to the VCC plain, which is ground for a negative supply, or power for a positive supply.

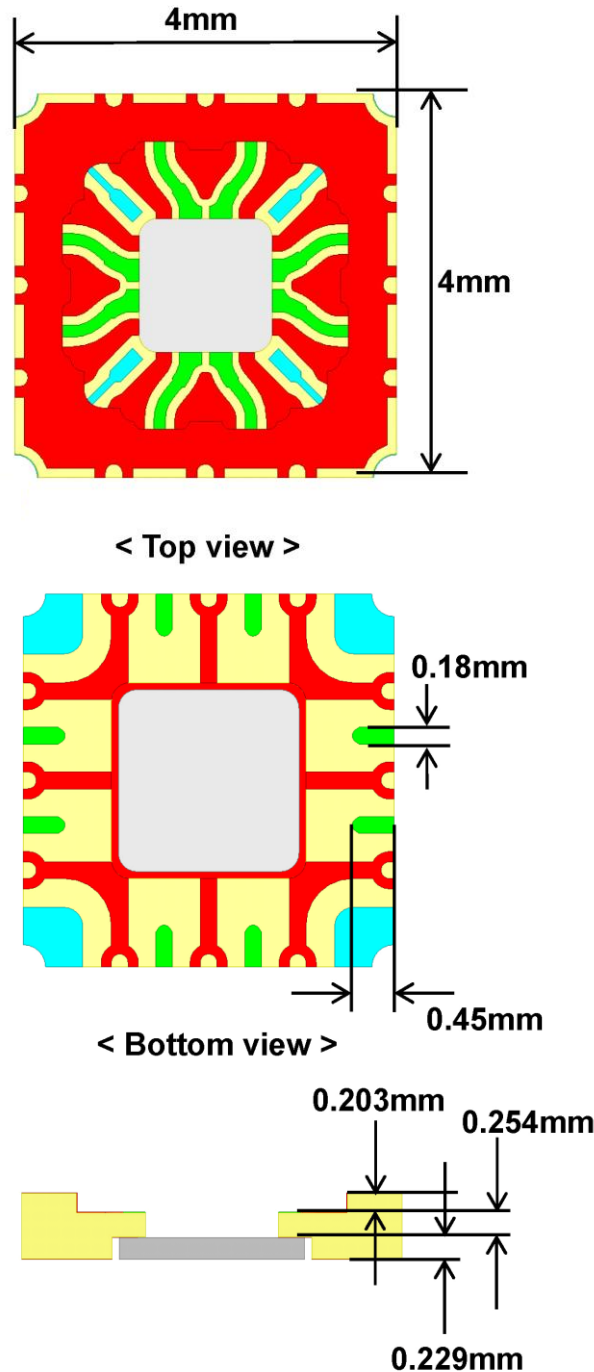


Fig. 2. CQFN 24-Pin Package Drawing (All Dimensions in mm)



The part's identification label is ASNT6194-KHC. The first 8 characters of the name before the dash identify the bare die including general circuit family, fabrication technology, specific circuit type, and part version while the 3 digits after the underscore represent the package's manufacturer, type, and pin out count.

This device complies with Commission Delegated Directive (EU) 2015/863 of 4 June 2015 amending Annex II to Directive 2011/65/EU of the European Parliament and of the Council as regards the list of restricted substances (Text with EEA relevance) on the restriction of the use of certain hazardous substances in electrical and electronics equipment (RoHS Directive) in accordance with the definitions set forth in the directives for all ten substances.

REVISION HISTORY

Revision	Date	Changes
1.4.2	06-2021	Corrected THD and inputs swing values Corrected maximum frequency Added gain flatness information Updated package information section
1.3.2	11-2019	Corrected pinout diagram Corrected Terminal Function table
1.2.2	11-2019	Corrected input swing Corrected Absolute Maximum input swing
1.1.2	11-2019	Corrected pinout diagram Corrected range of analog controls Added description of analog controls Added maximum values of analog control voltages
1.0.2	10-2019	Preliminary release